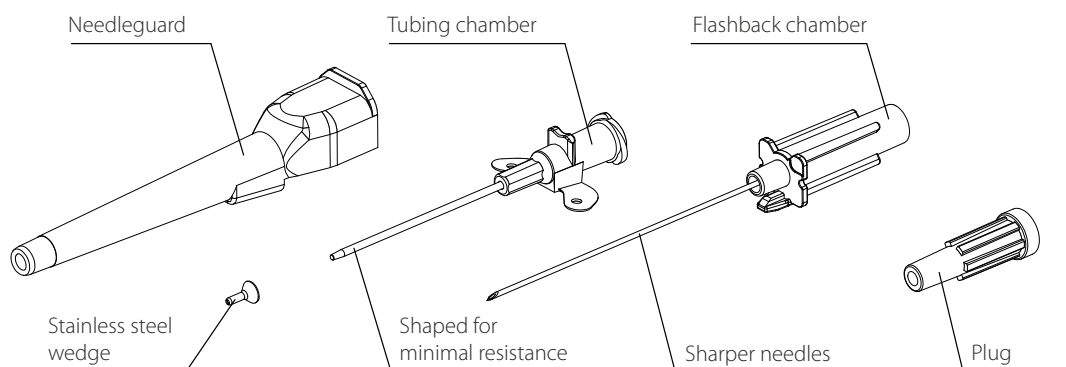


KRUUSE Venocan Mini IV Catheter

- High quality and sharp needles with long bevel to minimize discomfort/pain during placement
- Transparent flash-back chamber
- Small wings for easy handling
- Tubing made from medical grade Teflon® FEP (fluorinated ethylene propylene)
- Thin-wall catheter with large inner diameter assures good flow
- Suggested catheter dwell time up to 3 days
- Individually packed in blister
- 50/pk

Catheter material studies have indicated an important factor in reducing the incidence of thrombophlebitis. O'Grady et al (2011) state Polyurethane and Teflon are associated with less infectious complications (more resistant to bacterial adherence) than polyvinyl or polyethylene catheters.

Cat. No	Size	Gauge	Colour
121940	0.6 x 13 mm	26G	Purple
121941	0.7 x 19 mm	24G	Yellow
121942	0.9 x 25 mm	22G	Blue
121943	1.1 x 32 mm	20G	Pink



*O'Grady, N., Alexander, M., Burns, L., Dellinger, E., Garland, J., Heard, S., Lipsett, P., Masur, H., Mermel, L., Pearson, M.; Raad, I., Randolph, A., Rupp, M. and Saint, S. 2011. Guidelines for the prevention of intravascular catheter related infections. American Journal of Infection Control, 39(4):S1-34